

Satin-Black Powder-Coated Finish

The black look that attracts compliments while it resists corrosion.

Convertible Control Pack

Lets you mount the control pack separately from the winch, or keep it attached for an integrated look. Your choice.

Contractor Control

Another piece in the durability and reliability puzzle: Built to weather the storm for the long run.

New Motor and Motor Housing

Hello extra power and durability; goodbye loud noise and exposed wires.

Fast Line Speed, Low Amp Draw

Maximize your winch line speed while you minimize the strain on your charging system.

Stainless Steel Hardware

Corrosion resistance runs deep in this winch construction.

Extreme Waterproofing

Meets rigorous IP68 standards—the highest rating in the WARN Truck/SUV winch lineup.

Automatic Mechanical Brake

Powerful brake holds the full-rated load and provides great control while winching.

Three-Stage Planetary Gear Train

It's about as fast and reliable as a gear train gets. Plus a new ergonomic easy-throw clutch lever.

Hawse Fairlead

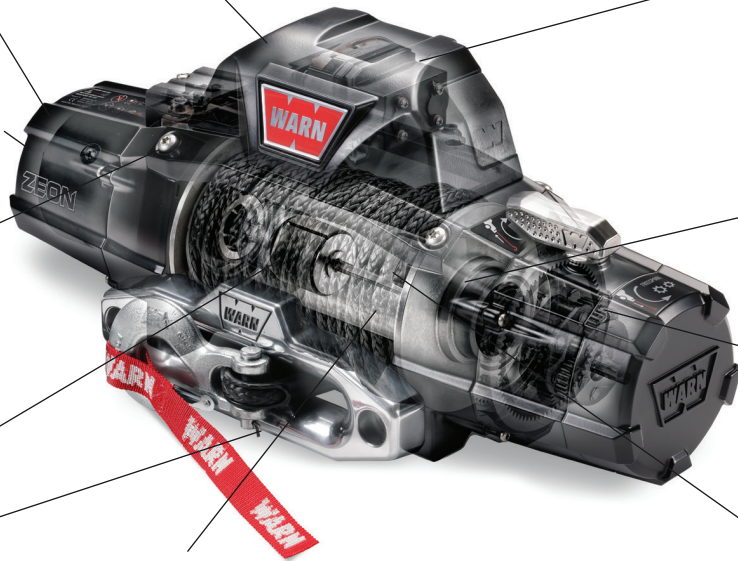
Lightweight aluminum, with powder-coat finish.

Synthetic Rope

80 ft. of severe-duty, industrial-grade Spydura Pro synthetic rope found on many military vehicles.

Aluminium Drum Design

Large diameter for less wear on the winch rope. Includes an exclusive rope anchor point for easy winch rope replacement.



ZEON 12K

SPECIFICATIONS

Steel (ST): W12-02-89660

Synthetic (SY): W12-02-95955

Rated Line Pull: 5433 kg single-line

Motor: 12V DC Series Wound

Electrical Controls: Contactor

Remote Control: Remote switch, 3.7m lead

Geartrain: 3-Stage Planetary

Gear Ratio: 216:1

Clutch (freespooling): Rotating Ring Gear

Brake: Automatic Mechanical Cone

Drum diameter/Length: 80mm/229mm

Rope: 24.4m/9.5mm (ST),

24.4m/9.5mm (SY)

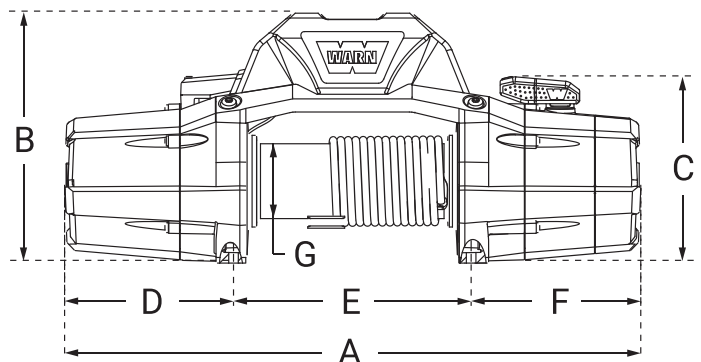
Fairlead: Roller (ST), Roller (SY)

Recommended Battery: 650 CCA minimum for winching

Battery leads: 2 gauge, 1.83m

Finish: Satin black powder coat

Line Pull	Line Speed	Motor	Pull by Layer
kg	m/min	Current	Layer/Kg
0	8.6	67 amps	1/5440
910	4.3	141 amps	2/4488
1810	2.8	209 amps	3/3818
2720	2.4	272 amps	4/3323
3630	2.0	336 amps	5/2941
4536	1.3	401 amps	
5440	1.0	469 amps	



A. 615.9mm C. 199.0mm E. 254.0mm G. 80.0mm

B. 266.8mm D. 180.6mm F. 181.3mm

Mounting bolt pattern: 254.0mm x 114.3mm



Use More Of Your Vehicle
www.fullyequipped.co.nz

